

INSPIRED SHADES COLLECTION WARRANTIES

Limited No Questions Asked Warranty

The Pro Design LLC Limited "No Questions Asked" Warranty is offered exclusively to Budget Blinds' customers purchasing products from the Inspired Shades Collections only. This warranty allows a one-time complimentary replacement or repair should a shade become damaged or inoperable after the initial installation.

This warranty is valid for five years from the original date of purchase. Replacement or repair will be at Pro Design LLC's discretion.

The replacement shade will be made to the same size and specifications as the original shade. The replacement shade must be ordered in the same pattern and color. If the original pattern or color is not available, the shade will be replaced with the closest available option. If a shade is replaced, there may be variations in the color or texture of the original and replaced shades.

This warranty does not cover motors or batteries for motorized shades. This warranty does not cover trip charges or labor charges for removal or installation.

This warranty is provided to the original purchaser only with proof of purchase and does not cover damage caused by removal, storage or reinstallation of the shades. This warranty is only available through Budget Blinds franchisees.

Limited Lifetime Warranty

This product is warranted against defects in materials and workmanship, provided that:

1. The product was installed according to the product instructions.
2. Pro Design LLC recommendations were followed regarding limitations and specifications of the product.

Pro Design LLC reserves the right to determine if your shade warrants a repair or partial replacement of any parts. If necessary, Pro Design LLC will replace your shade with a new shade of equal or superior value. This shall be your sole remedy under this warranty.

This Limited Lifetime Warranty excludes all motors, controls and accessories, which are warranted for only a period of five years from the date of purchase. Failure to follow the proper installation, charging and use instructions will invalidate the warranty for motors, remotes, wands and hubs.

This Limited Lifetime Warranty applies only to the original retail purchaser with proof of purchase.

This Limited Lifetime Warranty does not cover the removal or installation of original or replacement shades. This Limited Lifetime Warranty does not cover damage or defects caused by, or resulting from improper maintenance, neglect or improper use, wear and tear, abuse, neglect, accidents, alteration, commercial use, installation, removal or reinstallation or exposure to excessive moisture.

Your Rights Under State Law

These warranties give you specific legal rights. You may also have other rights which may vary from State to State. In no event shall Pro Design LLC be liable for incidental or consequential damages or for any other direct or indirect damage, loss, cost, expense or fee. Some states do not allow the exclusion or limitation of incidental or consequential damages, so the above limitation or exclusion may not apply to you. These warranties are exclusive and in lieu of all other obligations, liabilities, disclaimers or warranties.

Please contact Customer Service with any question or concern:

✉ inspired@prodesignllc.net

☎ 330-562-0023

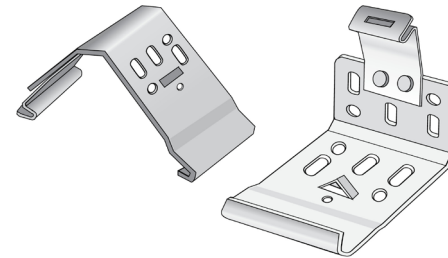
RS 2023A



Installation Instructions Roller Shades in Cassettes

Thank you for purchasing custom roller shades from the Inspired Shades Collection. With proper installation, your shades should look beautiful and provide years of service. Please check all parts and review this manual before starting installation.

MOUNTING HARDWARE:



Universal Mounting Brackets
(for inside/top and outside/face mounting)

Ordered Width (Inches)	Brackets Supplied
Up to 40"	2 Brackets
Between 40" and 63"	3 Brackets
Between 63" and 90"	4 Brackets
Between 90" and 110"	5 Brackets

TOOLS THAT MAY BE REQUIRED:

Pencil, Tape Measure, Drill, Screw Driver, Level and Step Stool

NOTE: For drywall (wallboard) or plaster, use anchors designed for hollow walls (not included). For concrete, stone, and brick, use a masonry drill bit and masonry anchors (not included).

SHADE CARE AND CLEANING:

For the care and cleaning of your roller shades, we recommend gentle cleaning methods.

Roller Shades are decorative in nature and are primarily polyester, or a blend of poly-cotton, poly-linen, or poly-PVC materials. The fabrics in this collection should not be treated with harsh chemicals.

When dusting is required, be sure to use something gentle. We recommend a vacuum brush or lightly dusting by hand.

Light steaming may be used in the event of wrinkles. Please be sure to avoid contact with the fabric and hold the steamer at least 6" away.

If spot cleaning is required, use only water or a very mild detergent. Cleaning the shade in its entirety can cause it to shrink, leave water spots, or alter the color of the fabric.

Following these tips will help to extend the life of your shades and ensure that they stay beautiful for years to come!

INSTALLING YOUR SHADE

STEP 1: INSTALL BRACKETS

Brackets for roller shades with cassettes can be installed to the wall (face mount) [Figure 1] or to the ceiling or underside of the window recess (top mount) [Figure 2].

Note: Brackets must be installed level in order for the cassette to install properly. Use the provided bracket shims if installing to uneven surface.

For wall/face mount, move on to INSTALL CASSETTE GRIPS.

For ceiling/top mount shades, move on to INSTALL SHADE.

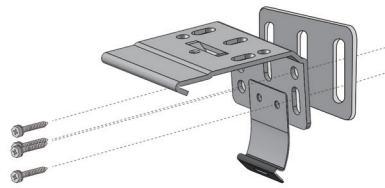


Figure 1: Wall/Face Mount (with shims)

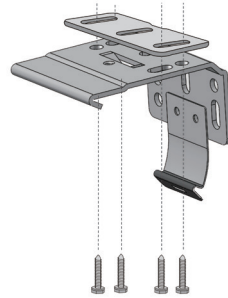


Figure 2: Ceiling/Top Mount (with shims)

WALL/FACE MOUNT ONLY: INSTALL CASSETTE GRIPS

Wall/Face mount cassettes should be installed with the provided cassette grip. Cassette grips attach to the back of the cassette and keep the cassette from tilting forward in face mount installations. [Figure 3].

If installing wall/face mount with spacer blocks, an L-shaped spacer block is provided. Please ensure the cassette grip is positioned on top of the spacer block [Figure 4].

Note: Cassette grips will have a thin side and a thick side [Figure 5]. The thin side should face the wall if the cassette brackets are installed without shims. The thick side should face the wall if the cassette brackets are installed with shims.

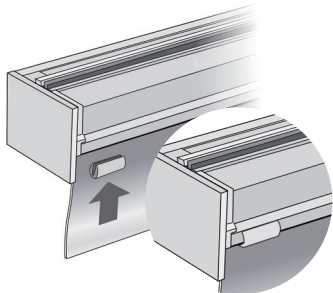


Figure 3: Cassette Grip Installation

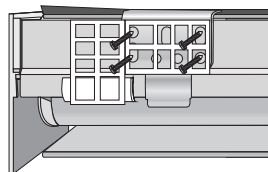


Figure 4: Spacer Block

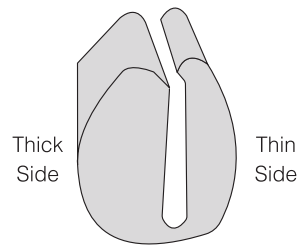


Figure 5: Cassette Grip

STEP 2: INSTALL SHADE

Position the lip of the bracket under the front rib on the cassette [Figure 6].

Once in position, push the back of the shade up into the tab of the installation bracket [Figure 7]. You will hear a click once the back of the cassette and tab of the bracket are engaged.

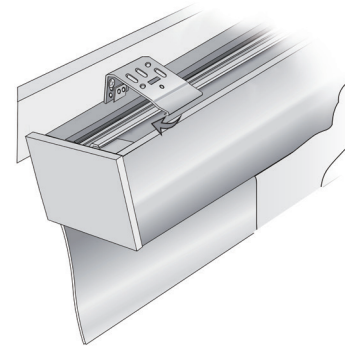


Figure 6: Position Lip of Bracket under Front Rib of Cassette

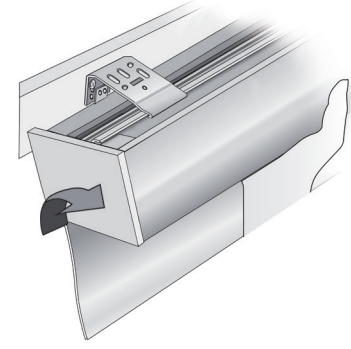


Figure 7: Click Bottom of Cassette into Bracket Tab

If your shade requires removal after being installed, use a flat head screw driver to unhook the tab on the cassette installation bracket from the bottom of the cassette [Figure 8].

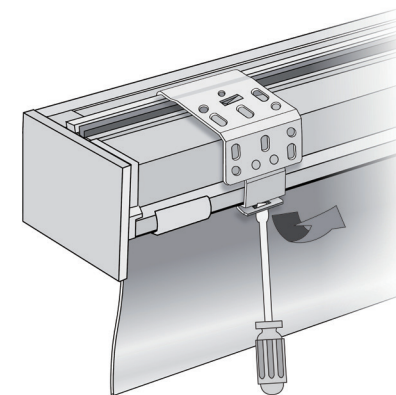


Figure 8: Cassette Removal