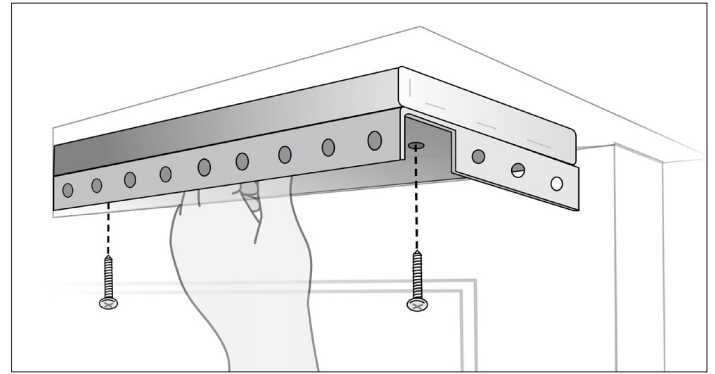


INSTALLING BOARD (TOP MOUNT):

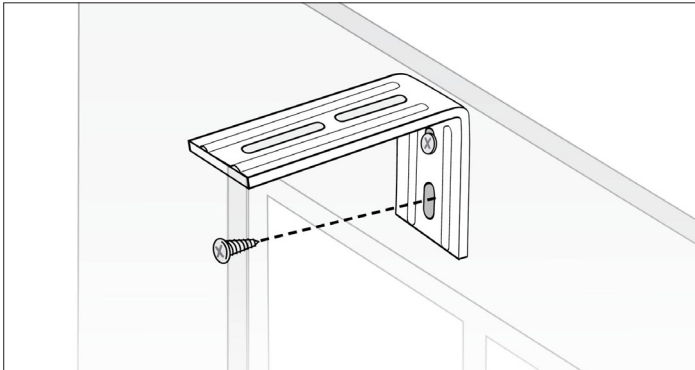
Hold board to the mounting surface and drill directly through the bottom of the board up and into the mounting surface* **[Figure 1]**.



[Figure 1]

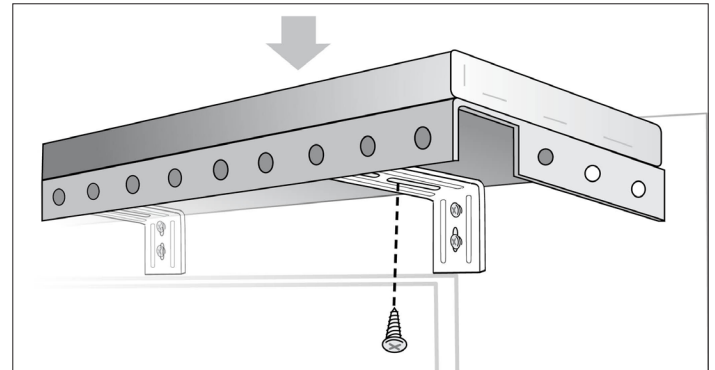
INSTALLING BOARD (FACE MOUNT):

- 1 Evenly space and attach the short end of included L-brackets to the wall* **[Figure 2]**. Pinch pleat panels are shipped with a 1 3/8" pin placement, allowing them to be installed flush with the top of the board.



[Figure 2]

- 2 Place the board on the exposed end of the L-brackets and attach with screws through bracket into the bottom of mounting board **[Figure 3]**.

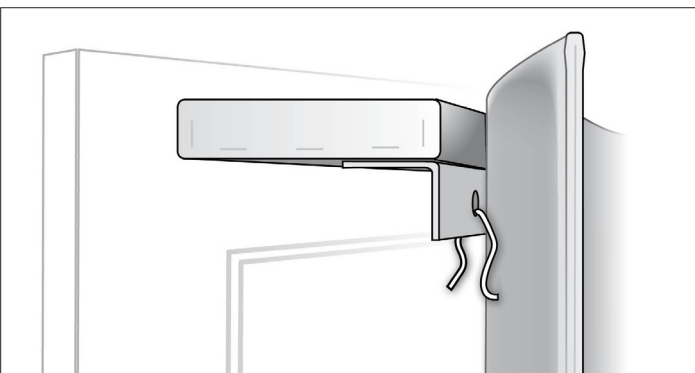


[Figure 3]

***Note:** For wallboard or plaster, use anchors designed for hollow walls (not included). For concrete, stone and brick, use a masonry drill bit and anchors designed for masonry (not included).

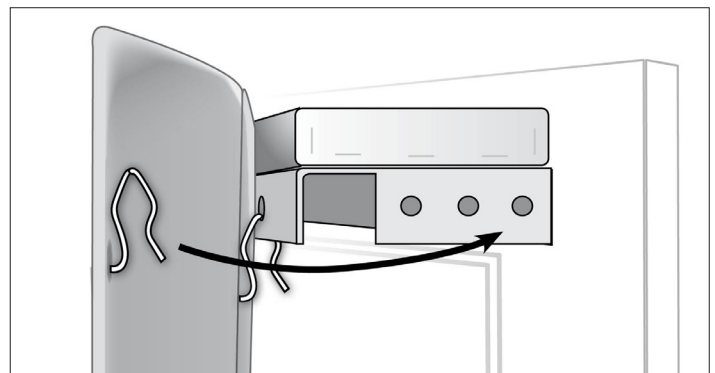
PLACING PANELS:

- 1 Panels are held in place by the pin strip on the underside of the mounting board.
Start by placing first S-pin on leading edge of the panel in first opening on the pin strip **[Figure 4]**.



[Figure 4]

- 2 Hook the remaining S-pins evenly across the pin strip and finish by hooking the return side of the panel on the return side of the board **[Figure 5]**.



[Figure 5]