

iS

INSPIRED
SHADES

INSPIRED BOX VALANCE

QUICK START GUIDE



inspired@prodesignllc.net

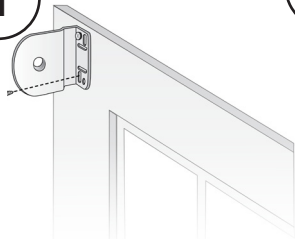


330-562-0023

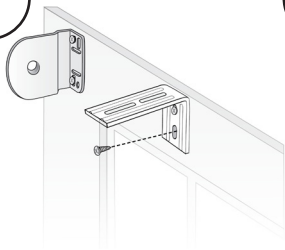


330-294-9878

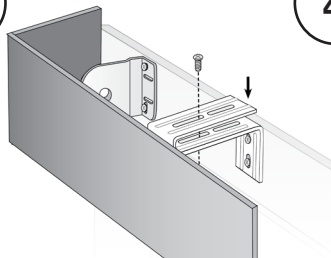
1



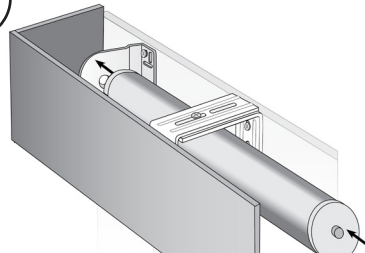
2



3

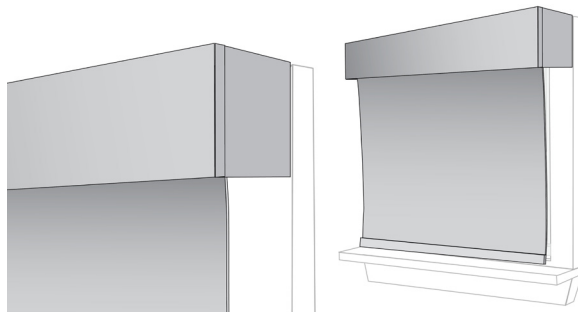


4



FINAL INSTALL:

FULL INSTALLATION
INSTRUCTIONS:



www.inspired-shades.com/install-box-valance

troubleshooting on reverse



VALANCE BOWS IN THE MIDDLE

Wider box valances may have some bowing in the middle of the valance. Follow the steps below to correct the bowing.

Inside Mount

Make sure to install any middle brackets that were provided with your valance last. Adjust the top placement of the middle brackets, making sure that any bowing is corrected in the valance before screwing the brackets into place.

Outside Mount

Make sure to install any middle brackets that were provided with your valance. After the valance has been installed, adjust the alignment of the middle brackets until the bow has straightened. Add the nut and bolt to hold the brackets in place in the adjusted position.

