

## INSTALLING YOUR SHADE

**NOTE:** For wallboard or plaster, use anchors designed for hollow walls (not included). For concrete, stone and brick, use a masonry drill bit and masonry anchors (not included).

### STEP 1: INSTALL BRACKETS

Your roller shade with cassette will come with universal brackets for inside (top) or outside (face) mounting. [Figure 1]

- 1. Before beginning installation, fit the brackets into the cassette.** See how the white plastic bracket lip fits under the front rib of the cassette, and then push on the back of the bracket to compress it until it snaps in place. The back rib on the cassette is now tucked into the hook on the bracket.
- 2. Mark the desired position of the brackets with a pencil.** Position one bracket about 2" from each end of the cassette, then space out any middle brackets equally (if supplied).
- 3. Drill pilot holes for the screws.**
- 4. Use provided screws to install brackets.** Ensure that they are level and in line with each other. If they are not level, the cassette may not snap properly into all of the brackets.

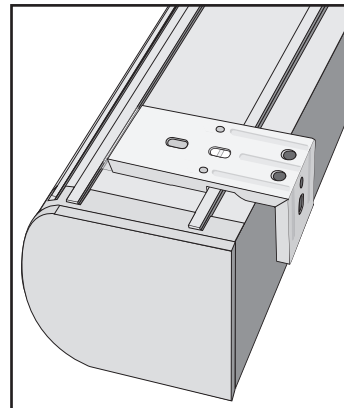


Figure 1: Cassette and Bracket

### STEP 2: INSTALL SHADE

- 1. Position the bracket under the front rib on the cassette.** Tilt the front of the shade up and book the white plastic bracket lips under the front rib on the top of the cassette.
- 2. Snap the cassette into place.** Now, push the cassette back and up until all brackets snap into place.

### STEP 3: INSTALL CHAIN TENSIONER

Shades with clutch controls come with a continuous chain loop, which should always be screwed to the wall with the included chain tensioner.

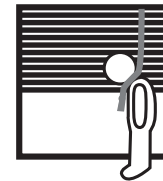
- 1. Select the right location.** The chain tensioner should be installed to a flat surface, so the bead chain is taut but not stretched. Be sure to not to Twist or cross the chain. [Figure 2]
- 2. Mark the desired location of the screw holes for the tensioner with a pencil.**
- 3. Drill pilot holes for the screws.**
- 4. Use provided screws to install the chain tensioner.** Ensure that it is fully compressed so that the springs are pushed in and the chain passes smoothly through the guide hole. [Figure 2]



Figure 2: Tensioner

**NOTE:** The chain tensioner forms an important safety function by keeping chain loops away from small children. Never operate this shade without a functioning and correctly installed chain tensioner.

## ⚠ WARNING

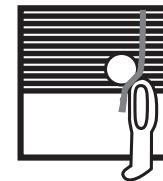


### Window Blind Cord Can STRANGLE Your Child.

To prevent strangulation, purchase cordless products or products with inaccessible cords.

ANSI/WCMA 5.1.3

## ⚠ ADVERTENCIA



### La cuerda ciega de la ventana puede ESTRANGULAR su niño.

Para evitar el estrangulamiento, compre alternativas inalámbricas o productos con cables inaccesibles.

ANSI/WCMA 5.1.3

## INSPIRED SHADES™ COLLECTION LIMITED WARRANTIES

### Limited No Questions Asked Warranty

The Pro Design LLC Limited “No Questions Asked” Warranty is offered exclusively to Budget Blinds’ customers purchasing products from the Inspired Shades Collections only. This warranty allows a one-time complimentary replacement or repair should a shade become damaged or inoperable after the initial installation.

This warranty is valid for five years from the original date of purchase. Replacement or repair will be at Pro Design LLC’s discretion.

The replacement shade will be made to the same size and specifications as the original shade. The replacement shade must be ordered in the same pattern and color. If the original pattern or color is not available, the shade will be replaced with the closest available option. If a shade is replaced, there may be variations in the color or texture of the original and replaced shades.

This warranty does not cover motors or batteries for motorized shades. This warranty does not cover trip charges or labor charges for removal or installation.

This warranty is provided to the original purchaser only with proof of purchase and does not cover damage caused by removal, storage or reinstallation of the shades. This warranty is only available through Budget Blinds franchisees.

### Limited Lifetime Warranty

This product is warranted against defects in materials and workmanship, provided that:

1. The product was installed according to the product instructions.
2. Pro Design LLC recommendations were followed regarding limitations and specifications of the product.

Pro Design LLC reserves the right to determine if your shade warrants a repair or partial replacement of any parts. If necessary, Pro Design LLC will replace your shade with a new shade of equal or superior value. This shall be your sole remedy under this warranty.

This Limited Lifetime Warranty excludes all motors, controls and accessories that are warranted for only a period of five years from the date of purchase. Failure to follow the proper installation, charging and use instructions will invalidate the warranty for motors, remotes, wands and hubs.

This Limited Lifetime Warranty applies only to the original retail purchaser with proof of purchase.

This Limited Lifetime Warranty does not cover the removal or installation of original or replacement shades. This Limited Lifetime Warranty does not cover damage or defects caused by, or resulting from improper maintenance, neglect or improper use, wear and tear, abuse, neglect, accidents, alteration, commercial use, installation, removal or reinstallation or exposure to excessive moisture.

### Your Rights Under State Law

These warranties give you specific legal rights. You may also have other rights which may vary from State to State. In no event shall Pro Design LLC be liable for incidental or consequential damages or for any other direct or indirect damage, loss, cost, expense or fee. Some states do not allow the exclusion or limitation of incidental or consequential damages, so the above limitation or exclusion may not apply to you. These warranties are exclusive and in lieu of all other obligations, liabilities, disclaimers or warranties.

If you have any questions or concerns, please contact Customer Service at **1-888-482-4082** or **inspired@prodesignllc.net**.



## INSTALLATION INSTRUCTIONS ROLLER SHADE WITH CASSETTE

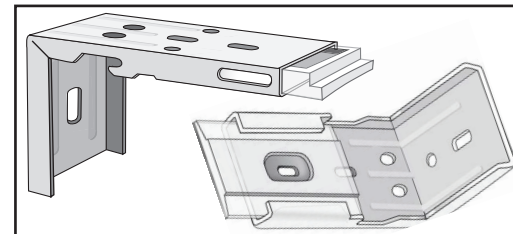
Thank you for purchasing your custom roller shades. With proper installation, your shades should look beautiful and provide years of service. Please check all parts and read these instructions before starting installation.

**NOTE:** These instructions cover installation of the roller shade cassette system. Standard roller shades with clutch and chain, cordless roller shades and motorized roller shades are all available with cassette. Your roller shade will arrive already pre-installed in the cassette, so all you need to do is install the cassette to the mounting surface, and install the chain tensioner if you’ve purchased clutch and chain shades.

**All bead chain loops should be secured with chain tensioners to prevent the risk of strangulation. Keep chain loops away from children and pets. Plastic chain loops also feature a breakaway connector, which helps reduce the risk of strangulation.**

**DO NOT** remove the cordless roller shade from the cassette. Removing the cordless shade from the cassette will cause the spring to lose tension, and the shade will no longer operate properly. If this happens, please contact customer service at **1-888-482-4082** or **inspired@prodesignllc.net**.

### MOUNTING HARDWARE INCLUDES:



Universal Mounting Brackets and Screws  
(for inside/top and outside/back mounting)



Chain Tensioner & Screws  
(for clutch and chain shades)

### TOOLS THAT MAY BE REQUIRED:

Pencil, Tape Measure, Drill, Screw Driver, Level and Step Stool